

Dieci



AGRI STAR

37.7 | 40.8 | 38.10



dieci.com

PERFORMANCE

| | | | |
|--|----------------------|----------------------|----------------------|
| Vehicle model | AGRI STAR 37.7 - GD | AGRI STAR 40.8 - GD | AGRI STAR 38.10 - GD |
| Maximum capacity | 3700 kg (8157 lb) | 4000 kg (8818 lb) | 3800 kg (8378 lb) |
| Maximum lifting height | 6.8 m (22.3 ft) | 7.7 m (25.3 ft) | 9.6 m (31.5 ft) |
| Maximum horizontal extension | 3.7 m (12.1 ft) | 4.3 m (14.1 ft) | 6.1 m (20.0 ft) |
| Fork swiveling angle | 146° | 146° | 146° |
| Pull-out force | 8200 daN (18434 lbf) | 8200 daN (18434 lbf) | 8200 daN (18434 lbf) |
| Towing force | 5600 daN (12589 lbf) | 5600 daN (12589 lbf) | 5600 daN (12589 lbf) |
| Unladen mass | 7750 kg (17086 lb) | 8500 kg (18739 lb) | 8800 kg (19401 lb) |
| Maximum climb angle | 45% | 45% | 45% |
| Max speed (referred to wheels with maximum permitted diameter) | 38 km/h (23.6 mph) | 38 km/h (23.6 mph) | 38 km/h (23.6 mph) |

BOOM

| | | | |
|-------------------|---------------------|---------------------|----------------------|
| Vehicle model | AGRI STAR 37.7 - GD | AGRI STAR 40.8 - GD | AGRI STAR 38.10 - GD |
| Lifting | 7.5 s | 8.9 s | 9.3 s |
| Descent | 5.3 s | 7.1 s | 7.4 s |
| Extension | 5.3 s | 6.1 s | 8.4 s |
| Retraction | 4 s | 4.6 s | 6.9 s |
| Forward swiveling | 4.1 s | 4.1 s | 4.1 s |
| Reverse swiveling | 2.3 s | 2.3 s | 2.3 s |

ENGINE

| | | | |
|-------------------------------------|---|---|---|
| Vehicle model | AGRI STAR 37.7 - GD | AGRI STAR 40.8 - GD | AGRI STAR 38.10 - GD |
| Brand | Perkins | Perkins | Perkins |
| Nominal power | 100 kW (134 HP) | 100 kW (134 HP) | 100 kW (134 HP) |
| @rpm | 2200 rpm | 2200 rpm | 2200 rpm |
| Operation | 4-stroke | 4-stroke | 4-stroke |
| Injection | Electronic, Common Rail | Electronic, Common Rail | Electronic, Common Rail |
| Number and arrangement of cylinders | 4, Vertical in line | 4, Vertical in line | 4, Vertical in line |
| Displacement | 3621 cm ³ (221 in ³) | 3621 cm ³ (221 in ³) | 3621 cm ³ (221 in ³) |
| Consumption | 216 g/kWh (355.32 lb/Hp h) | 216 g/kWh (355.32 lb/Hp h) | 216 g/kWh (355.32 lb/Hp h) |
| @rpm | 2200 rpm | 2200 rpm | 2200 rpm |
| Emission standard | Stage V | Stage V | Stage V |
| Exhaust gas treatment | DOC+DPF+SCR (with AdBlue) | DOC+DPF+SCR (with AdBlue) | DOC+DPF+SCR (with AdBlue) |
| Cooling system | Liquid | Liquid | Liquid |
| Intake | 16-valve turbocharger with aftercooler | 16-valve turbocharger with aftercooler | 16-valve turbocharger with aftercooler |

DIFFERENTIAL AXLES

| | | | |
|------------------|---|---|---|
| Vehicle model | AGRI STAR 37.7 - GD | AGRI STAR 40.8 - GD | AGRI STAR 38.10 - GD |
| Type of axles | 2 steering, with 4 epicycloidal reduction gears | 2 steering, with 4 epicycloidal reduction gears | 2 steering, with 4 epicycloidal reduction gears |
| Type of steering | 4 wheels / transversal / 2 wheels | 4 wheels / transversal / 2 wheels | 4 wheels / transversal / 2 wheels |
| FRONT AXLE | Rigid (Levelling upon request) | Rigid (Levelling upon request) | Rigid (Levelling upon request) |
| Rear axle | Swinging | Swinging | Swinging |
| Service braking | Oil bath with servo brake on front and rear axle with double hydraulic system | Oil bath with servo brake on front and rear axle with double hydraulic system | Oil bath with servo brake on front and rear axle with double hydraulic system |
| Parking braking | Negative actuation with electronic control | Negative actuation with electronic control | Negative actuation with electronic control |

HYDRAULIC SYSTEM

| | | | |
|-------------------------|--|--|--|
| Vehicle model | AGRI STAR 37.7 - GD | AGRI STAR 40.8 - GD | AGRI STAR 38.10 - GD |
| Hydraulic pump type | No. 1 LS piston pump for power-steering and boom movements. No. 1 gear pump for and Fan Drive. | No. 1 LS piston pump for power-steering and boom movements. No. 1 gear pump for and Fan Drive. | No. 1 LS piston pump for power-steering and boom movements. No. 1 gear pump for and Fan Drive. |
| Hydraulic pump capacity | 170 l/min (44.9 gal/min) | 170 l/min (44.9 gal/min) | 170 l/min (44.9 gal/min) |
| Max. operating pressure | 25.5 MPa (3698 psi) | 25.5 MPa (3698 psi) | 25.5 MPa (3698 psi) |
| Distributor control | Proportional 4 in 1 Joystick with FNR | Proportional 4 in 1 Joystick with FNR | Proportional 4 in 1 Joystick with FNR |

REFUELING

| | | | |
|--------------------------|---------------------|---------------------|----------------------|
| Vehicle model | AGRI STAR 37.7 - GD | AGRI STAR 40.8 - GD | AGRI STAR 38.10 - GD |
| Hydraulic system (total) | 170 l (44,91 gal) | 170 l (44,91 gal) | 170 l (44,91 gal) |
| FUEL TANK | 175 l (46,23 gal) | 175 l (46,23 gal) | 175 l (46,23 gal) |
| AdBlue tank | 19 l (5,02 gal) | 19 l (5,02 gal) | 19 l (5,02 gal) |

TRANSMISSION

| | | | |
|-------------------|---|---|---|
| Vehicle model | AGRI STAR 37.7 - GD | AGRI STAR 40.8 - GD | AGRI STAR 38.10 - GD |
| Transmission type | Single speed Hydrostatic transmission with variable displacement pump | Single speed Hydrostatic transmission with variable displacement pump | Single speed Hydrostatic transmission with variable displacement pump |
| Reversal | Electro-Hydraulic | Electro-Hydraulic | Electro-Hydraulic |
| Inching | With electronic pedal for controlled forward movement | With electronic pedal for controlled forward movement | With electronic pedal for controlled forward movement |

TOWING CAPACITY

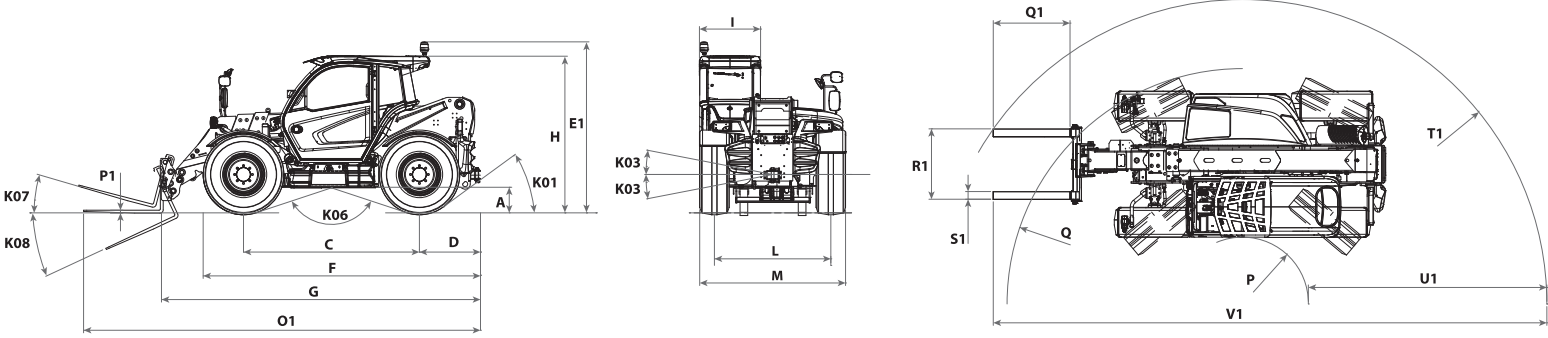
| | | | |
|-----------------------------|---------------------|---------------------|----------------------|
| Vehicle model | AGRI STAR 37.7 - GD | AGRI STAR 40.8 - GD | AGRI STAR 38.10 - GD |
| Unbraked trailer | 3500 kg (7716 lb) | 3500 kg (7716 lb) | 3500 kg (7716 lb) |
| Inertia braking | 8000 kg (17637 lb) | 8000 kg (17637 lb) | 8000 kg (17637 lb) |
| Hydraulic/pneumatic braking | 20000 kg (44092 lb) | 20000 kg (44092 lb) | 20000 kg (44092 lb) |

TIRES

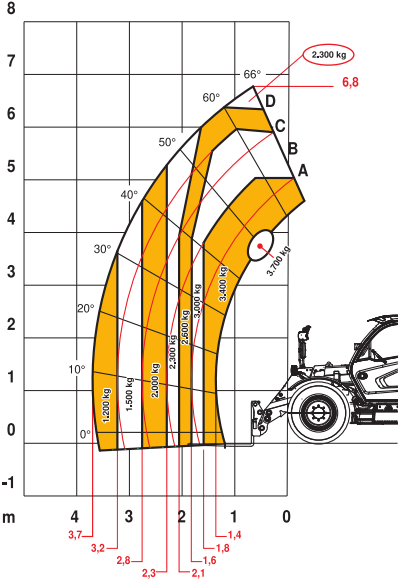
| | | | |
|----------------|---------------------|---------------------|----------------------|
| Vehicle model | AGRI STAR 37.7 - GD | AGRI STAR 40.8 - GD | AGRI STAR 38.10 - GD |
| Standard tires | 400/70-24" | 400/70-24" | 400/70-24" |

DIMENSIONS

| Vehicle model | AGRI STAR 37.7 - GD | AGRI STAR 40.8 - GD | AGRI STAR 38.10 - GD |
|---------------|---------------------|---------------------|----------------------|
| A | 260 mm (10.2 in) | 360 mm (14.2 in) | 360 mm (14.2 in) |
| C | 2750 mm (108.3 in) | 2750 mm (108.3 in) | 2750 mm (108.3 in) |
| D | 875 mm (34.4 in) | 937 mm (36.9 in) | 937 mm (36.9 in) |
| E1 | 2630 mm (103.5 in) | 2630 mm (103.5 in) | 2630 mm (103.5 in) |
| F | 4216 mm (166.0 in) | 4277 mm (168.4 in) | 4277 mm (168.4 in) |
| G | 4900 mm (192.9 in) | 5162 mm (203.2 in) | 4897 mm (192.8 in) |
| H | 2410 mm (94.9 in) | 2410 mm (94.9 in) | 2410 mm (94.9 in) |
| L | 1870 mm (73.6 in) | 1870 mm (73.6 in) | 1870 mm (73.6 in) |
| I | 960 mm (37.8 in) | 960 mm (37.8 in) | 960 mm (37.8 in) |
| K01 | 36° | 31° | 31° |
| K03 | 9° | 9° | 9° |
| K06 | 150° | 150° | 150° |
| K07 | 16° | 16° | 16° |
| K08 | 130° | 130° | 130° |
| M | 2290 mm (90.2 in) | 2290 mm (90.2 in) | 2290 mm (90.2 in) |
| O1 | 6100 mm (240.2 in) | 6362 mm (250.5 in) | 6187 mm (243.6 in) |
| P | 1031 mm (40.6 in) | 1031 mm (40.6 in) | 1031 mm (40.6 in) |
| P1 | 45 mm (1.8 in) | 45 mm (1.8 in) | 45 mm (1.8 in) |
| Q | 3679 mm (144.8 in) | 3679 mm (144.8 in) | 3679 mm (144.8 in) |
| Q1 | 1200 mm (47.2 in) | 1200 mm (47.2 in) | 1200 mm (47.2 in) |
| R1 | 1100 mm (43.3 in) | 1100 mm (43.3 in) | 1100 mm (43.3 in) |
| S1 | 120 mm (4.7 in) | 120 mm (4.7 in) | 120 mm (4.7 in) |
| T1 | 4691 mm (184.7 in) | 5102 mm (200.9 in) | 4759 mm (187.4 in) |
| U1 | 3706 mm (145.9 in) | 4072 mm (160.3 in) | 3729 mm (146.8 in) |
| V1 | 8599 mm (338.5 in) | 9406 mm (370.3 in) | 8655 mm (340.7 in) |



MAX
3700 kg



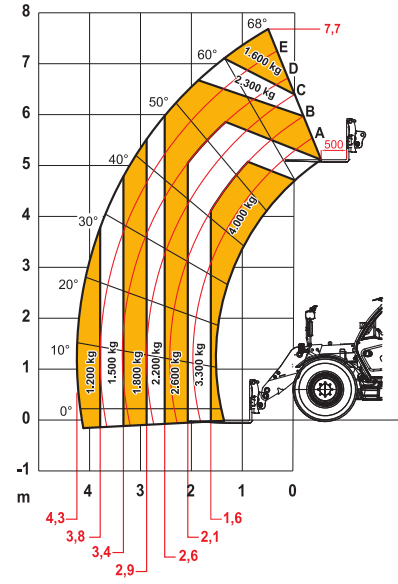
DOC10001615



37.7

EN1459

MAX
4000 kg



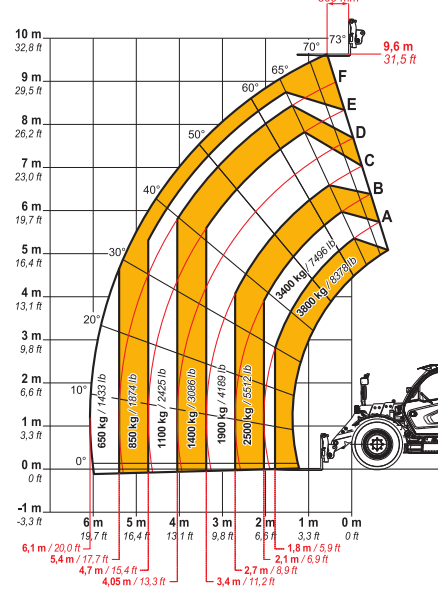
DOC10001724



40.8

EN1459

MAX
3800 kg / 8378 lb



DOC10000837



38.10

EN1459